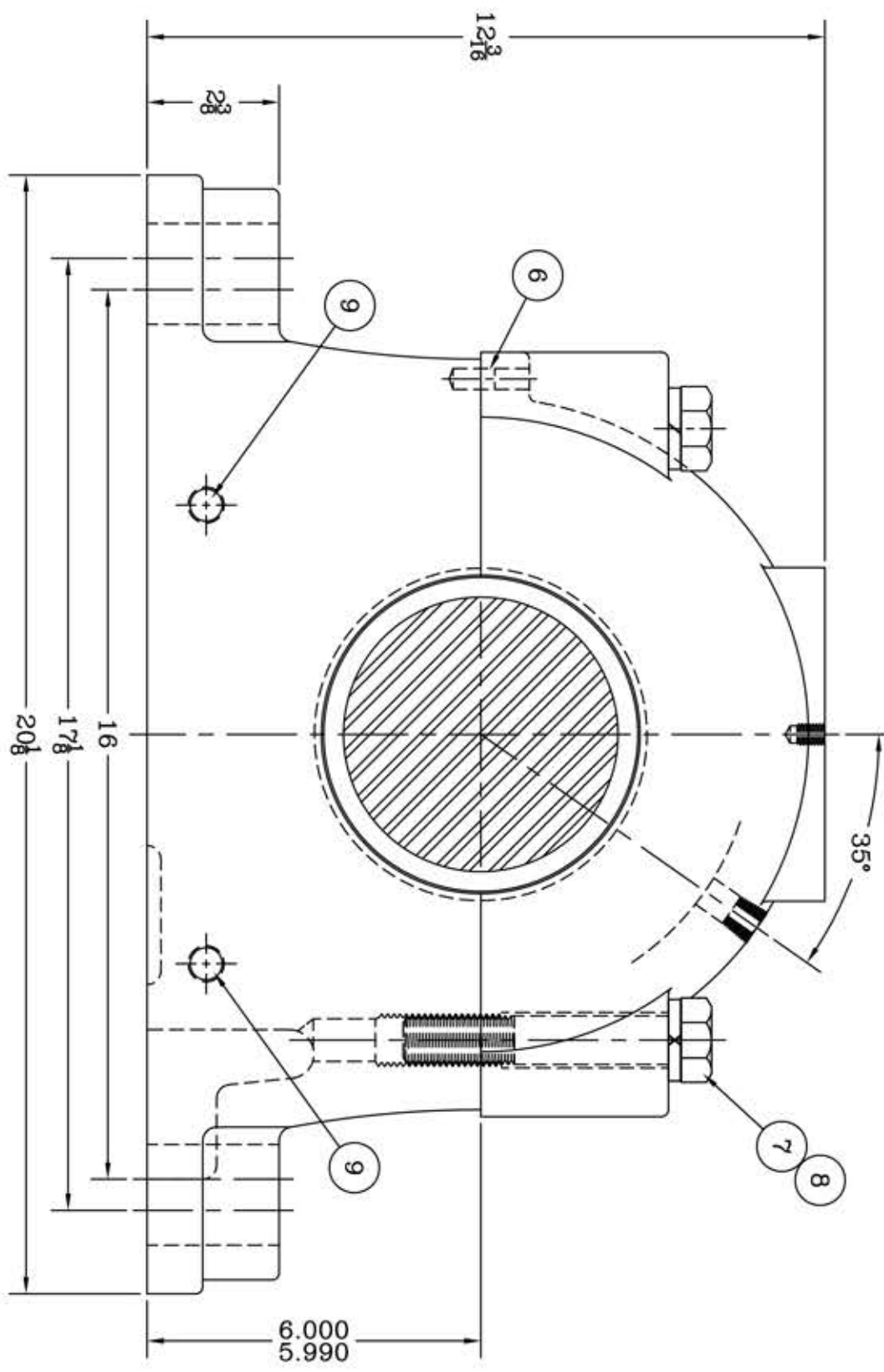
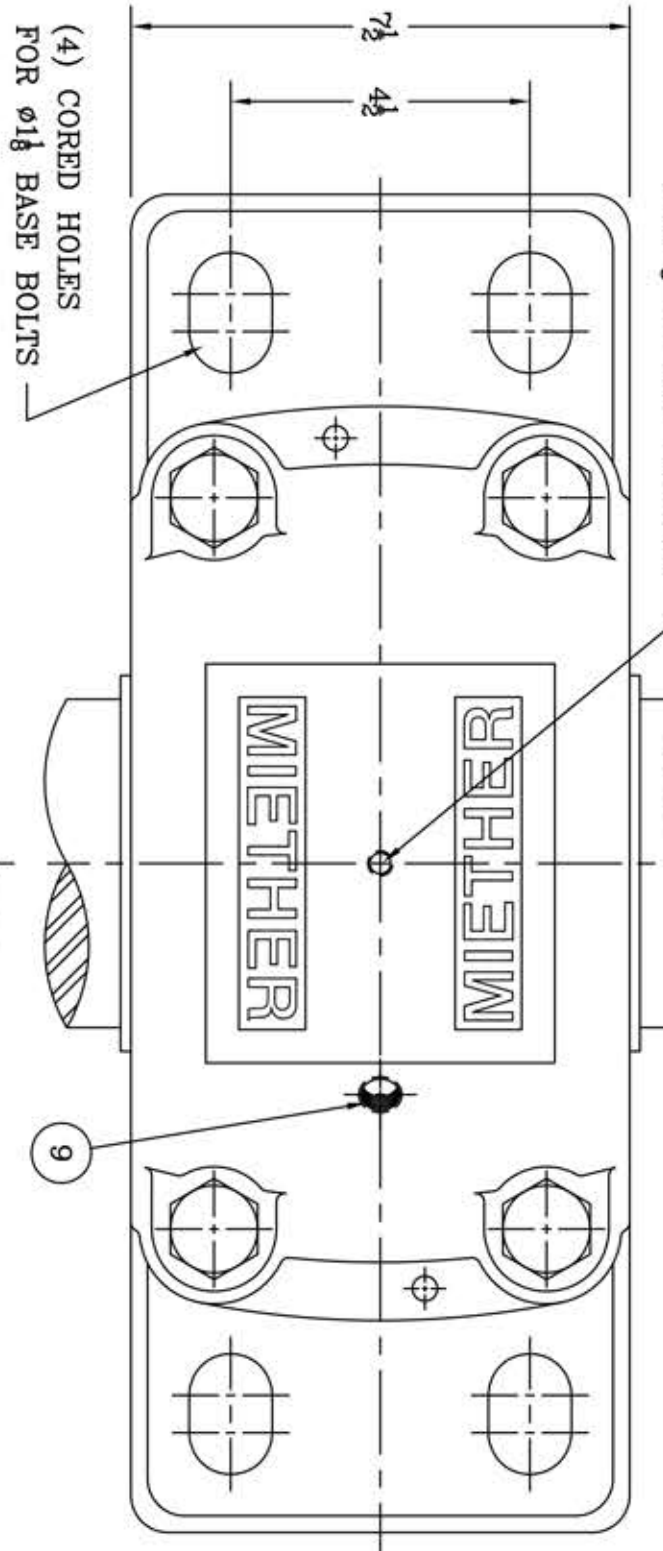


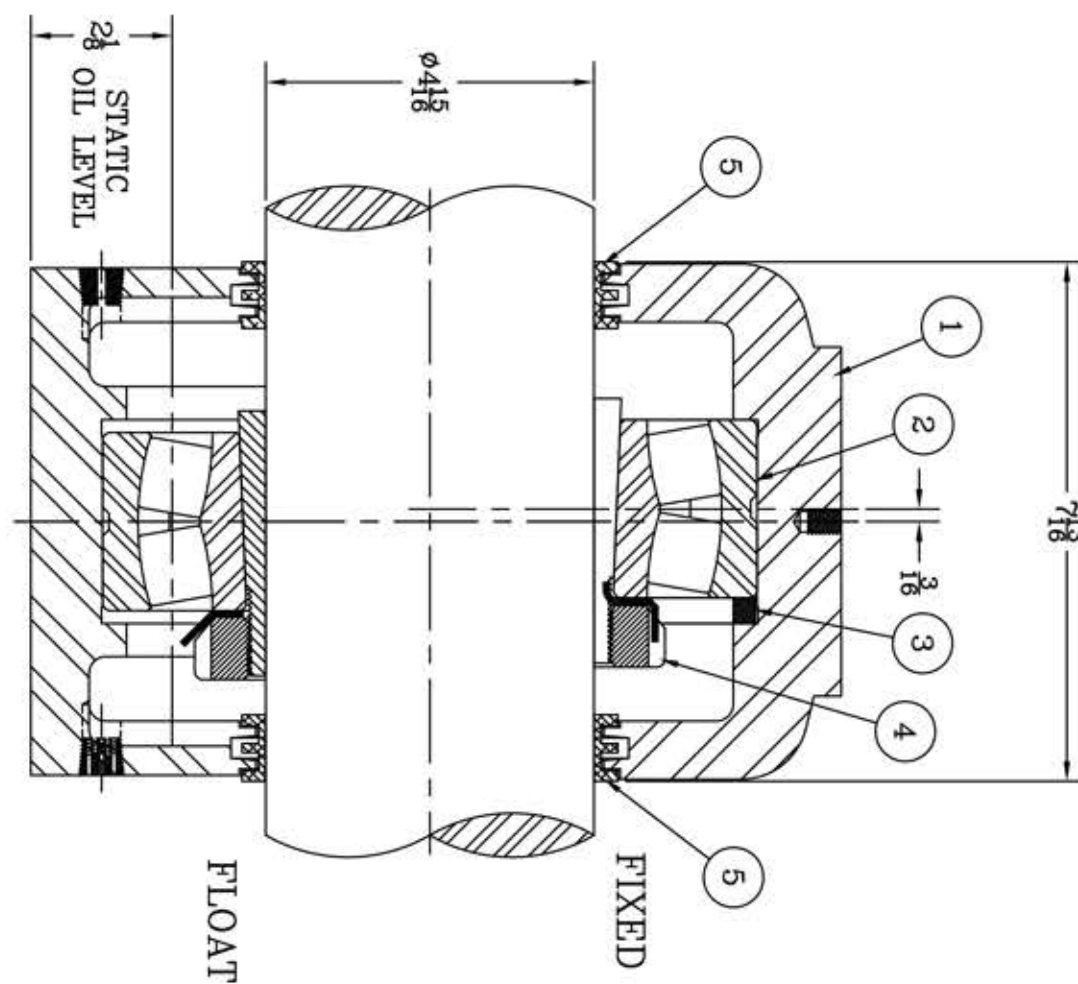
This drawing is the sole property of Miether Bearing Products and contains confidential and proprietary information. It is being provided to you for your use and may not be disclosed to any third party or used for any other purpose without Miether's prior written consent. The [materials] must be returned to the Company upon its demand. Your acceptance of these materials constitutes your acceptance of the foregoing terms.

C-14605

DRILLED & TAPPED
FOR 3/16 N.C. EYEBOLT



ITEM	DESCRIPTION	DETAIL	REQUIRED
1	HOUSING SDAFS 528	C-15239-R	1 1
2	SPHERICAL ROLLER BEARING	22228K/W-33	1 1
3	STABILIZING RING SR-28-0	A-10606	1 0
4	ADAPTER SNW-28 04-15	24435	1 1
5	TRIPLE SEAL RING LER-122	A-10499	2 2
6	DOWEL	ø 3/8 x 3/4 LONG	2 2
7	CAP BOLT HEX. HEAD Gr.5	7/16-10 NC x 5" LONG	4 4
8	LOCKWASHER	7/16 SPLIT MED.	4 4
9	PIPE PLUG	3/8-18 NPT	5 5



REDRAWN FOR CONFORMITY
RWB per KAB
7-20-04

REVISIONS

SYMBOL	DESCRIPTION
✓	REVISION 1
✓	REVISION 2
✓	REVISION 3
✓	REVISION 4
✓	REVISION 5
✓	REVISION 6
✓	REVISION 7
✓	REVISION 8
✓	REVISION 9

TOLERANCE: UNLESS OTHERWISE SPECIFIED
FRACTIONS ± 1/32" ANGLES ± 0° 30'
DECIMALS ± .005 WELD ± 1/16"
CASTING ± 1/16"

A.I.S.I. STANDARD FINISHES

AN ALCO INDUSTRIES COMPANY
BEARING PRODUCTS
ODESSA, TX. USA

SDAF 22528 04-15	ASSEMBLY DRAWING
SCALE HALF	ASSEMBLY NO.
DRAWN CJ	DRAWING NO.
DATE 3/15/73	CHK: C-14605